

# BAYHILL 49" CENTER SINK CABINET

# ARIEL

RO49S



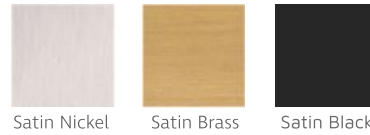
## BASE CABINET DIMENSIONS

48" W x 21.5" D x 34.5" H

## FEATURES

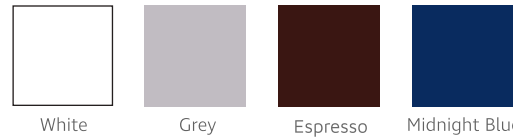
- Solid wood frame & plywood panels
- Dovetail drawers and joints
- Soft closing doors & drawers

## HARDWARE FINISHES



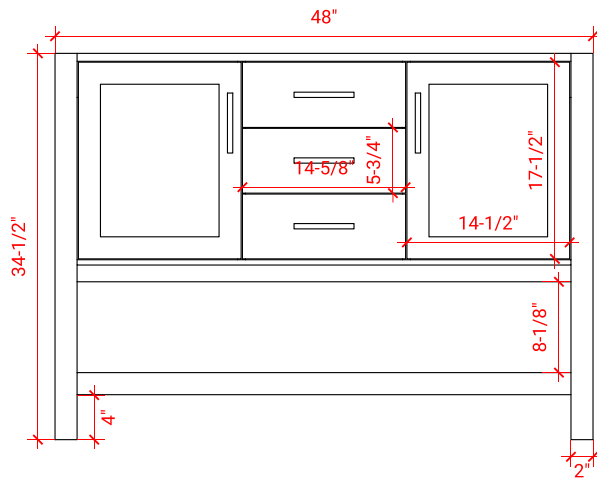
Satin Nickel Satin Brass Satin Black

## AVAILABLE COLORS

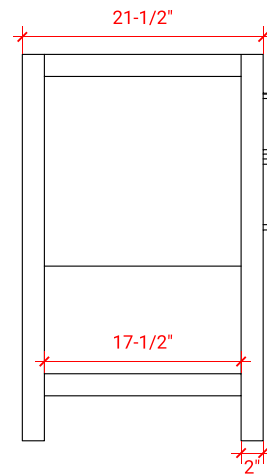


White Grey Espresso Midnight Blue

FRONT VIEW



SIDE VIEW



PLAN VIEW

