

# HUTTON 30" CENTER SINK CABINET

# ARIEL

W030S



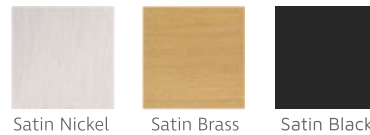
## BASE CABINET DIMENSIONS

30" W x 21.75" D x 18" H

## FEATURES

- Solid wood frame & plywood panels
- Dovetail drawers and joints
- Soft closing doors & drawers

## HARDWARE FINISHES



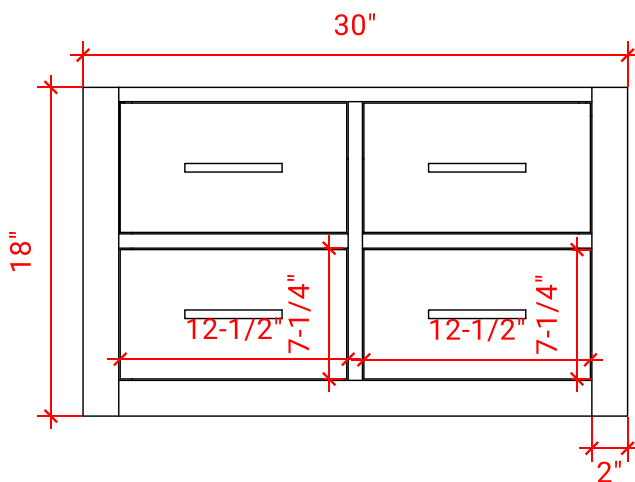
Satin Nickel Satin Brass Satin Black

## AVAILABLE COLORS

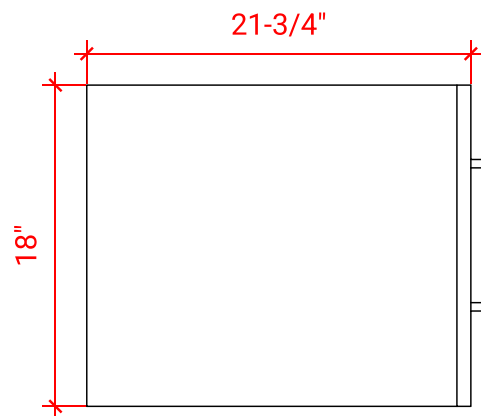


White Grey Black

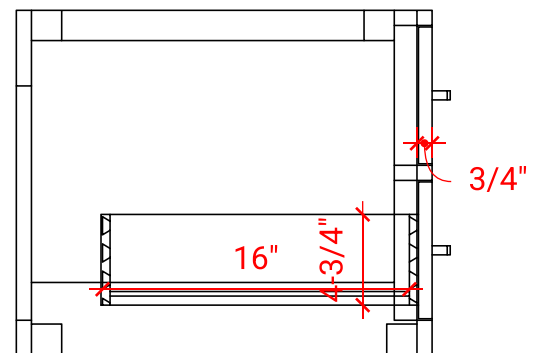
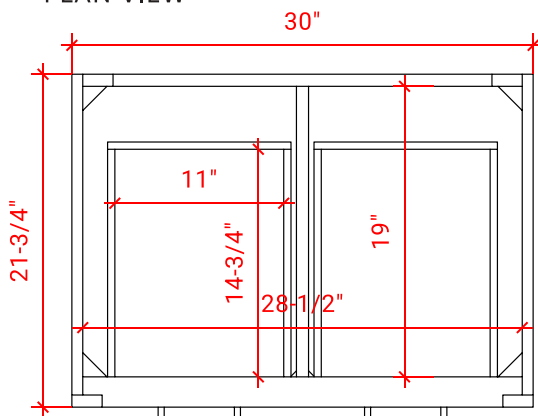
FRONT VIEW



SIDE VIEW



PLAN VIEW



## 30.5" RECTANGLE SINK THIN COUNTERTOP

### OVERALL DIMENSIONS

30.5" W x 22" D x 0.75" H

### COUNTERTOP OPTIONS



Carrara Marble  
CW2-031S-REC-CT

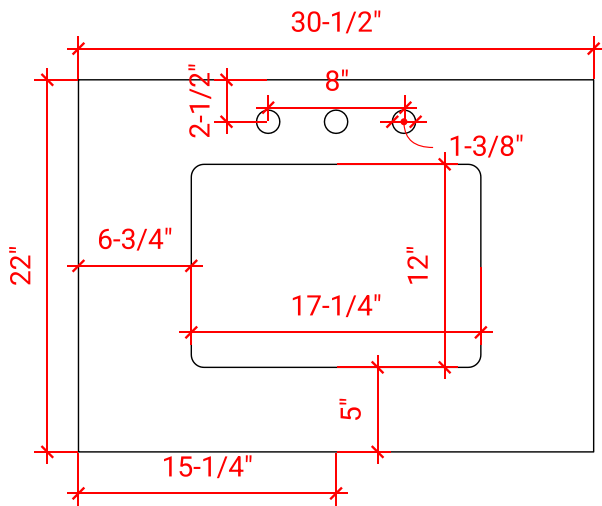
### FEATURES

- Solid countertop with mitered edges & seams
- Undermount white rectangular sink
- Pre-drilled for 8" widespread faucet

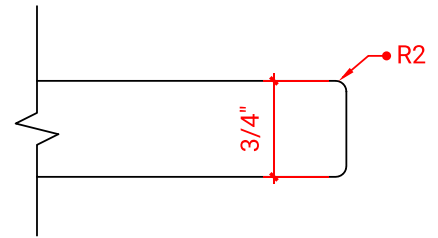
### INCLUDED

- Countertop
- Matching Backsplash
- Sink

### COUNTERTOP PLAN VIEW



### EDGE SIDE VIEW



### THREE DIMENSIONAL COUNTERTOP VIEW

