

# HUTTON 73" DOUBLE SINK CABINET

# ARIEL

W073D



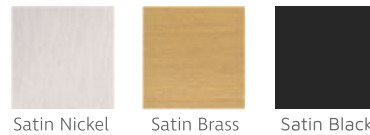
## BASE CABINET DIMENSIONS

72" W x 21.75" D x 18" H

## FEATURES

- Solid wood frame & plywood panels
- Dovetail drawers and joints
- Soft closing doors & drawers

## HARDWARE FINISHES



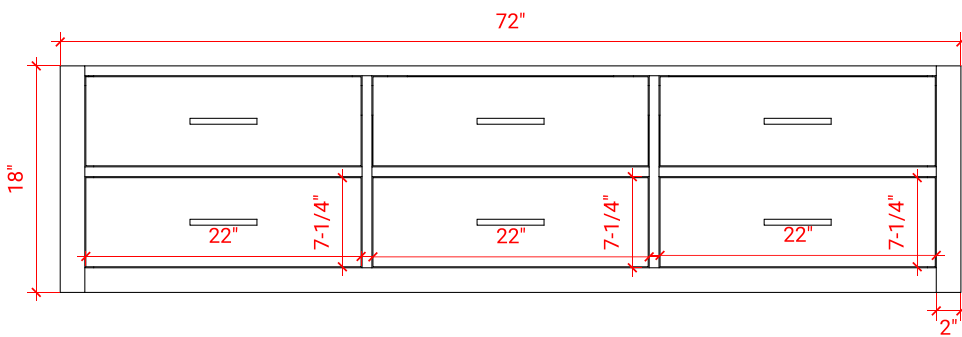
Satin Nickel Satin Brass Satin Black

## AVAILABLE COLORS

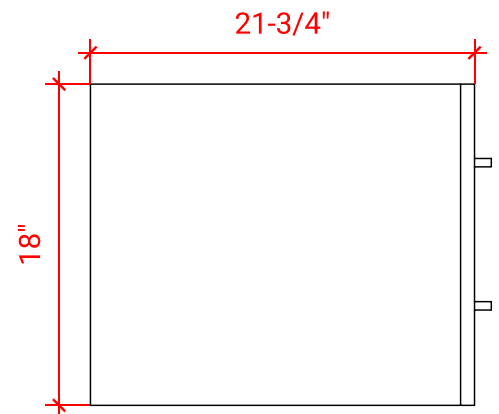


White Grey Black

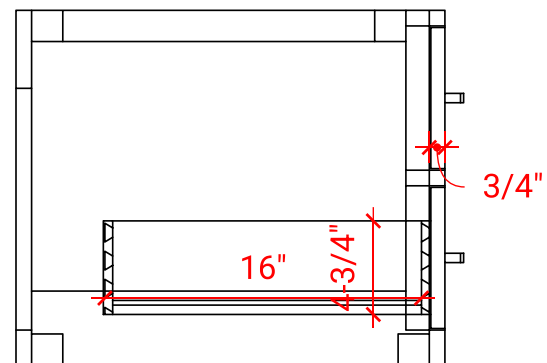
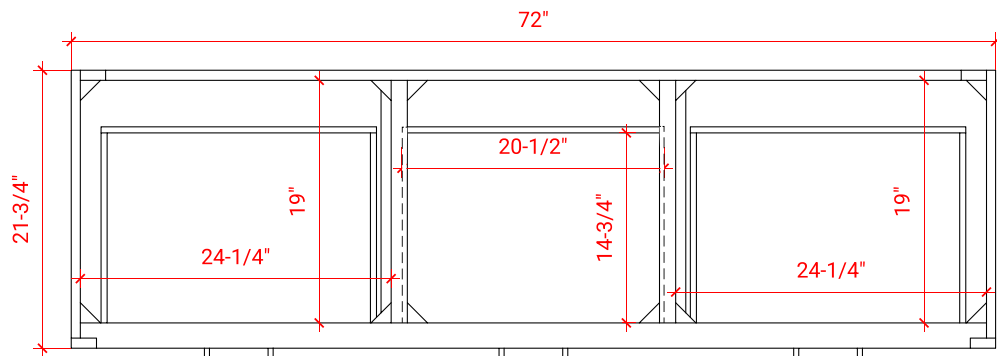
FRONT VIEW



SIDE VIEW



PLAN VIEW



# 73" DOUBLE RECTANGLE SINK THIN COUNTERTOP



## OVERALL DIMENSIONS

73" W x 22" D x 1.5" H

## COUNTERTOP OPTIONS



Carrara Marble  
CW-073D-REC-CT



White Quartz  
WQ-073D-REC-CT

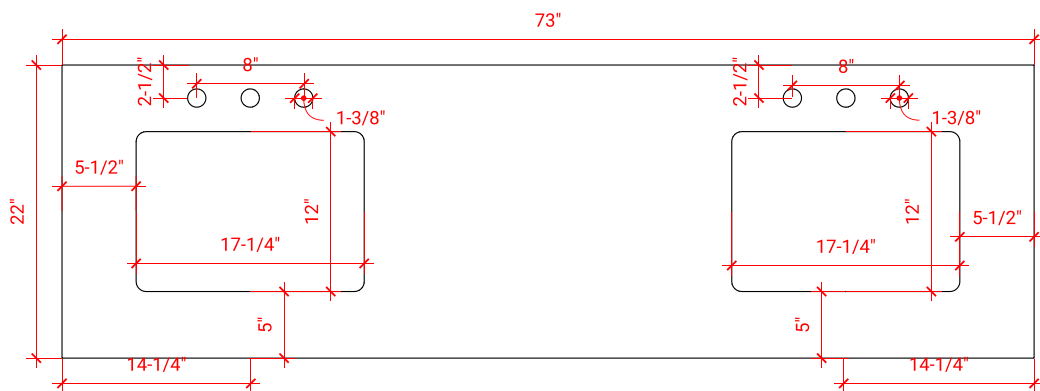
## FEATURES

- Solid countertop with mitered edges & seams
- Undermount white rectangular sink
- Pre-drilled for 8" widespread faucet

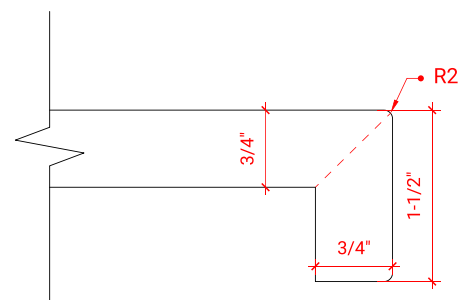
## INCLUDED

- Countertop
- Matching Backsplash
- Sink

## COUNTERTOP PLAN VIEW



## EDGE SIDE VIEW



## THREE DIMENSIONAL COUNTERTOP VIEW

