

TAYLOR 66" DOUBLE SINK BASE CABINET

ARIEL

Q066D



BASE CABINET DIMENSIONS

66" W x 21.6" D x 34.5" H

FEATURES

- Solid wood frame & plywood panels
- Dovetail drawers and joints
- Soft closing doors & drawers

HARDWARE FINISHES



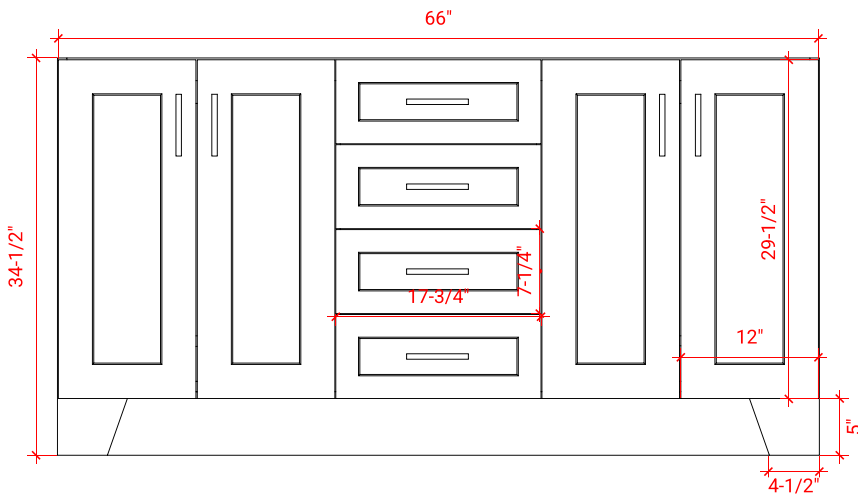
Brushed Nickel Satin Brass Matte Black Polished Chrome

AVAILABLE COLORS

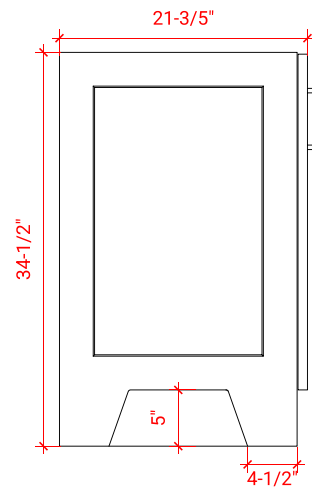


White Grey Midnight Blue

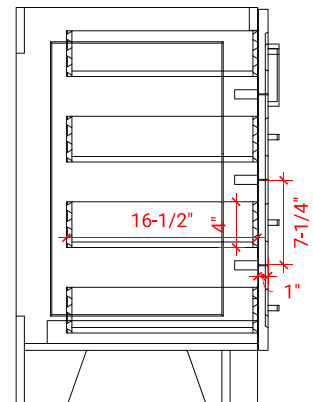
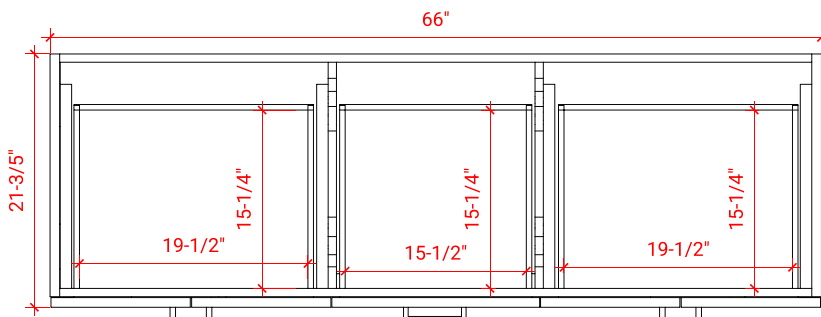
FRONT VIEW



SIDE VIEW



PLAN VIEW



67" DOUBLE OVAL SINK COUNTERTOP WITH 0.75 IN. THICKNESS

ARIEL

OVERALL DIMENSIONS

67" W x 22" D x 0.75" H

COUNTERTOP OPTIONS



Carrara Marble
CW2-067D-OVL-CT

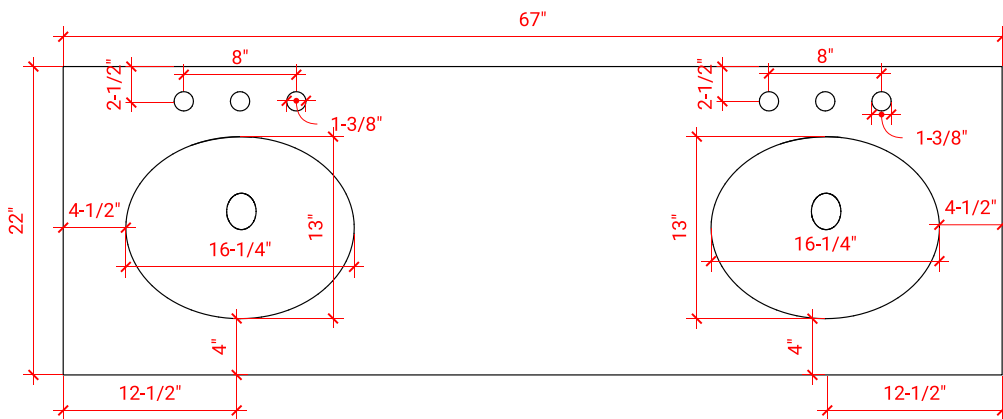
FEATURES

- Solid countertop with mitered edges & seams
- Undermount white oval sink
- Pre-drilled for 8" widespread faucet

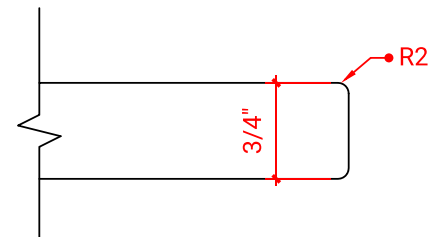
INCLUDED

- Countertop
- Matching Backsplash
- Oval Sinks

COUNTERTOP PLAN VIEW



EDGE SIDE VIEW



THREE DIMENSIONAL COUNTERTOP VIEW

