

# HUTTON 60" DOUBLE SINK BASE CABINET

# ARIEL

## BASE CABINET DIMENSIONS

60" W x 21.5" D x 18" H



## FEATURES

- Solid wood frame & plywood panels
- Dovetail drawers and joints
- Soft closing doors & drawers

## HARDWARE FINISHES\*



Brushed Nickel   Satin Brass   Matte Black   Polished Chrome

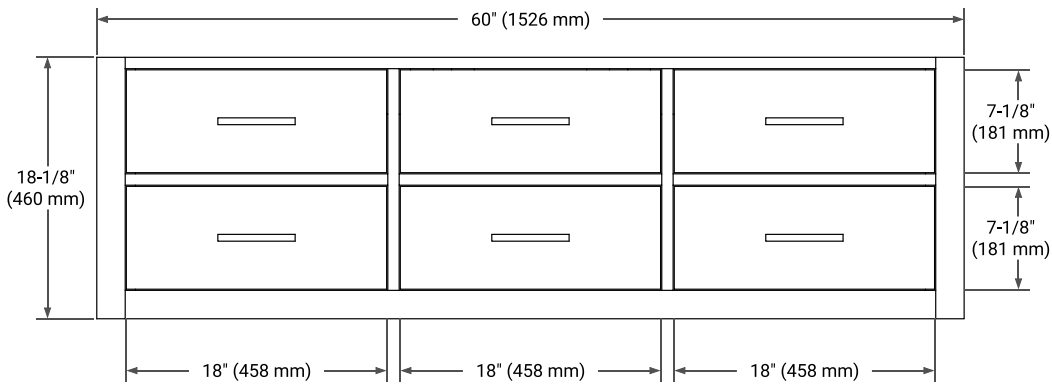
*Hardware comes preinstalled with the illustrated option. Other finishes are available on our online store if you prefer a different one.*

## AVAILABLE COLORS

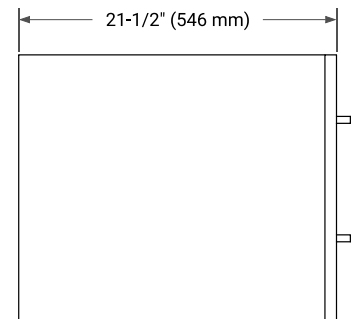


White   Grey   Midnight Blue

## FRONT VIEW



## SIDE VIEW



## PLAN VIEW

