

# TAYLOR 72" DOUBLE SINK BASE CABINET



## BASE CABINET DIMENSIONS

72" W x 21.6" D x 34.5" H



## FEATURES

- Solid wood frame & plywood panels
- Dovetail drawers and joints
- Soft closing doors & drawers

## HARDWARE FINISHES\*



Brushed Nickel   Satin Brass   Matte Black   Polished Chrome

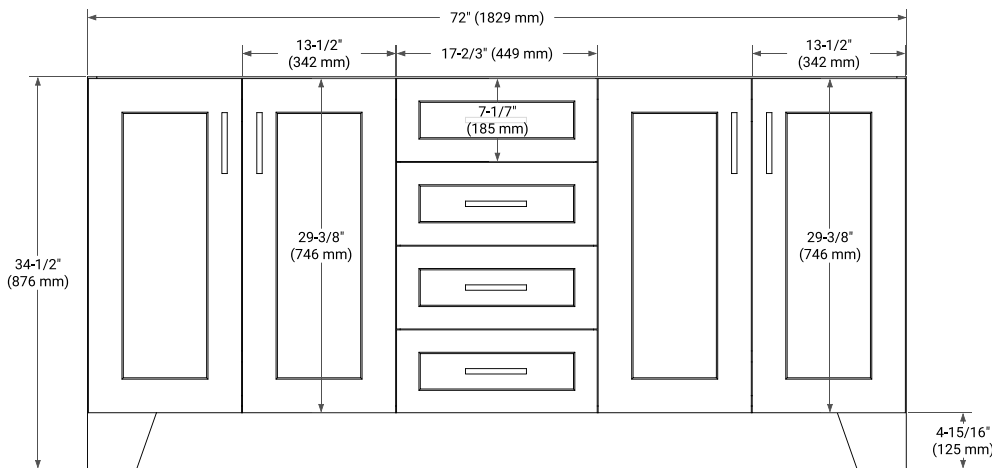
*Hardware comes preinstalled with the illustrated option. Other finishes are available on our online store if you prefer a different one.*

## AVAILABLE COLORS

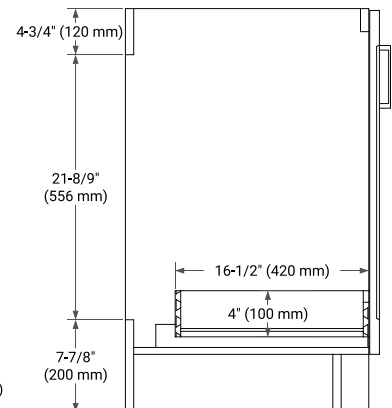


White   Grey   Midnight Blue

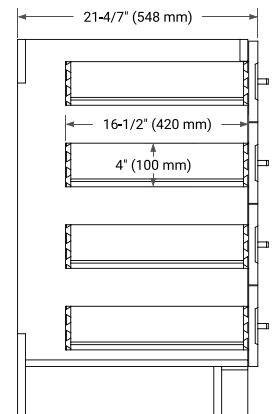
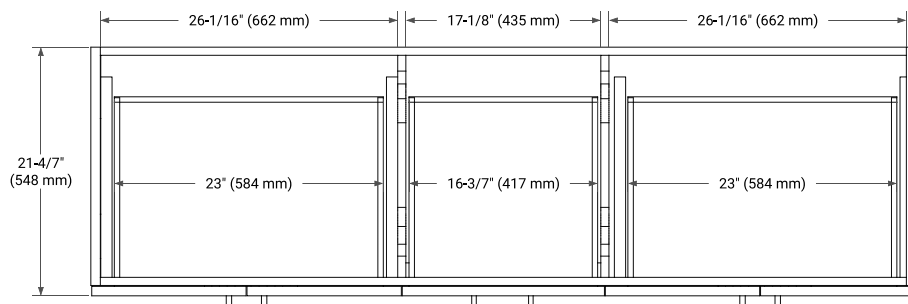
## FRONT VIEW



## SIDE VIEW



## PLAN VIEW



# 72" DOUBLE OVAL SINK COUNTERTOP WITH 1.5 IN. THICKNESS

# ARIEL

## OVERALL DIMENSIONS

72.25" W x 22" D x 1.5" H

## COUNTERTOP OPTIONS



Carrara White Quartz

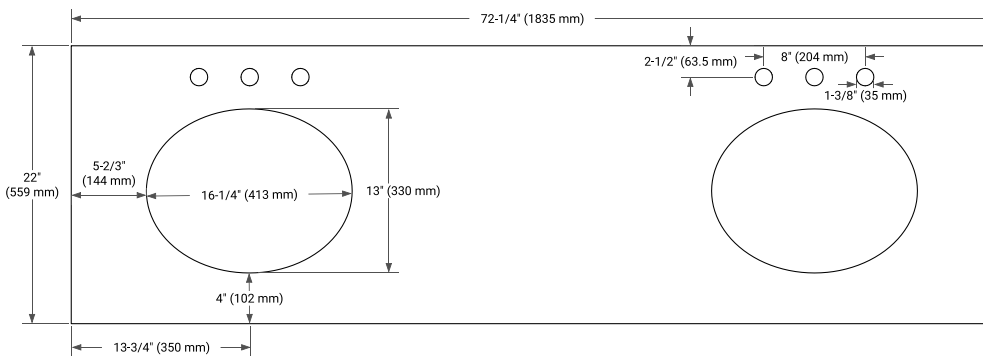
## FEATURES

- Solid countertop with mitered edges & seams
- Undermount white oval sink
- Pre-drilled for 8" widespread faucet

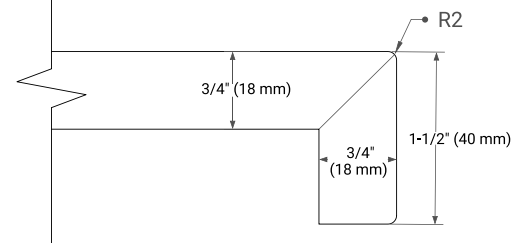
## INCLUDED

- Countertop
- Matching Backsplash
- Oval Sinks

## COUNTERTOP PLAN VIEW



## EDGE SIDE VIEW



## THREE DIMENSIONAL COUNTERTOP VIEW

