

# TAYLOR 37" RIGHT OFFSET CABINET

# ARIEL

Q037S-R



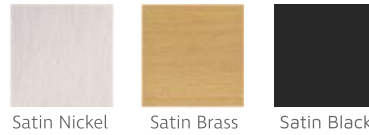
## BASE CABINET DIMENSIONS

36" W x 21.75" D x 34.5" H

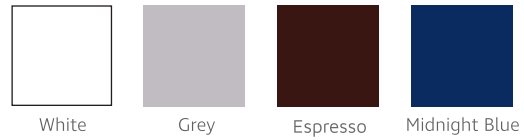
## FEATURES

- Solid wood frame & plywood panels
- Dovetail drawers and joints
- Soft closing doors & drawers

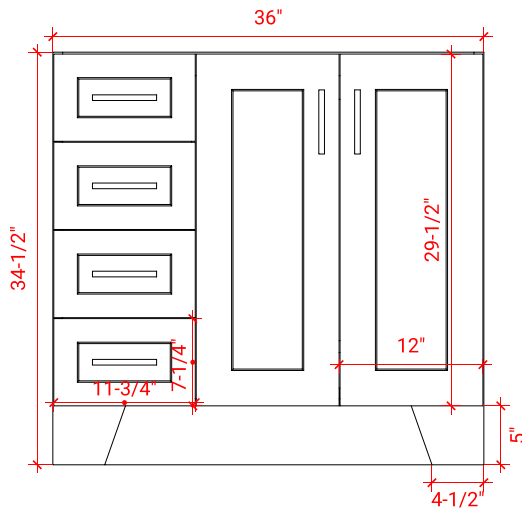
## HARDWARE FINISHES



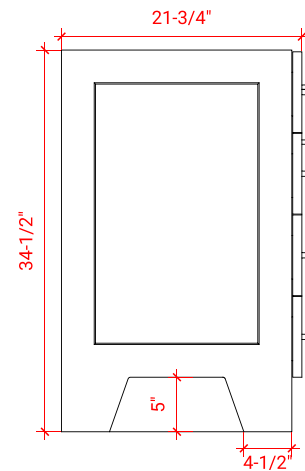
## AVAILABLE COLORS



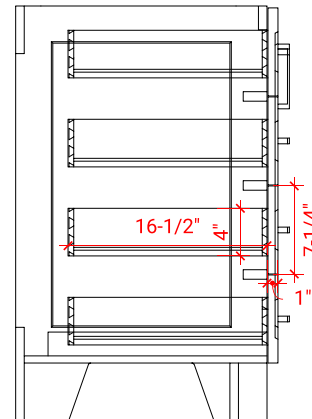
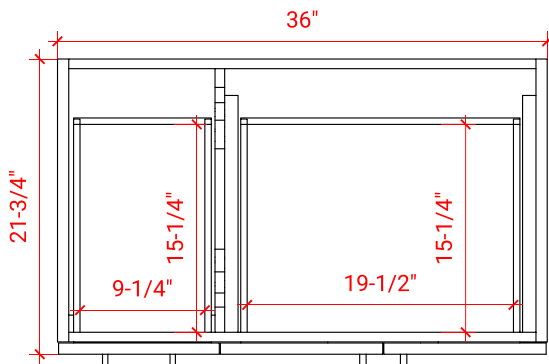
FRONT VIEW



SIDE VIEW



PLAN VIEW



# 37" RIGHT OFFSET RECTANGLE SINK THIN COUNTERTOP



## OVERALL DIMENSIONS

37" W x 22" D x 1.5" H

## COUNTERTOP OPTIONS



Carrara Marble  
CW-037S-R-REC-CT



White Quartz  
WQ-037S-R-REC-CT

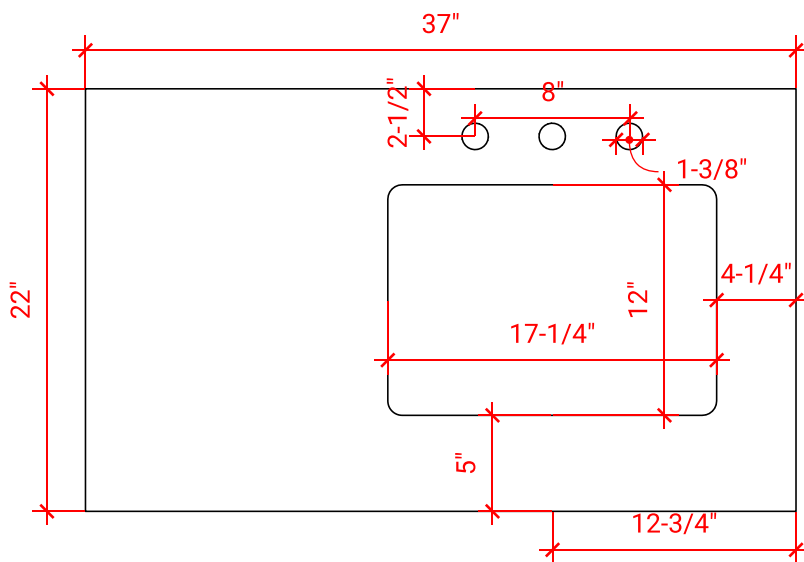
## FEATURES

- Solid countertop with mitered edges & seams
- Undermount white rectangular sink
- Pre-drilled for 8" widespread faucet

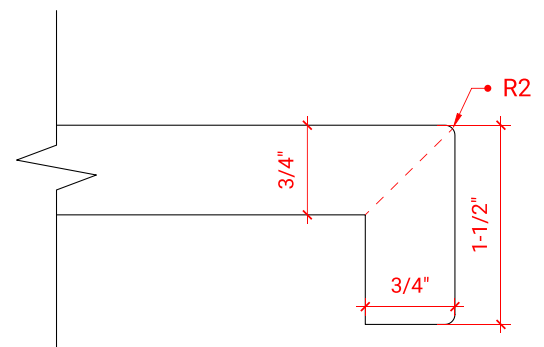
## INCLUDED

- Countertop
- Matching Backsplash
- Sink

## COUNTERTOP PLAN VIEW



## EDGE SIDE VIEW



## THREE DIMENSIONAL COUNTERTOP VIEW

