

# MAGNOLIA 42" CENTER SINK CABINET

# ARIEL

SO42S



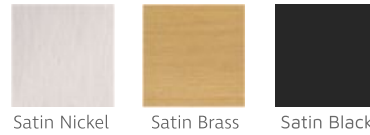
## BASE CABINET DIMENSIONS

42" W x 21.5" D x 34.5" H

## FEATURES

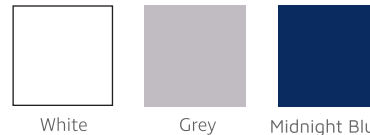
- Solid wood frame & plywood panels
- Dovetail drawers and joints
- Soft closing doors & drawers

## HARDWARE FINISHES



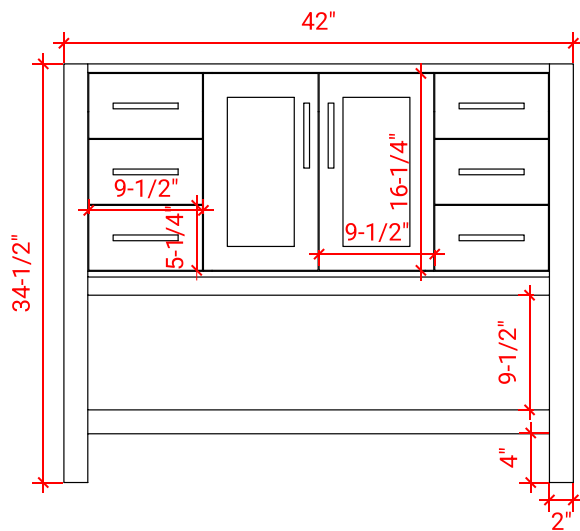
Satin Nickel Satin Brass Satin Black

## AVAILABLE COLORS

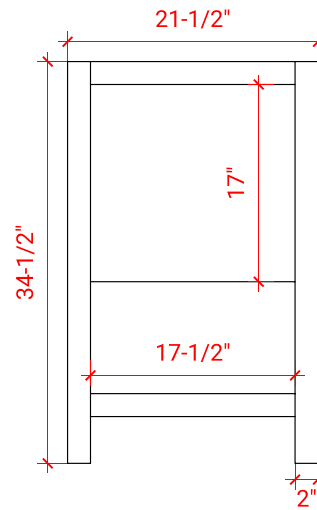


White Grey Midnight Blue

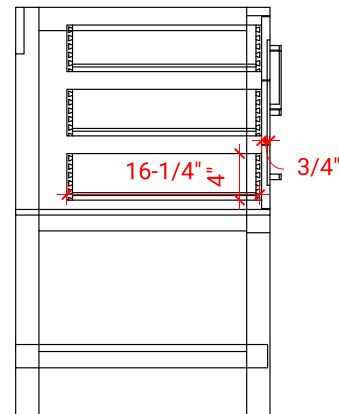
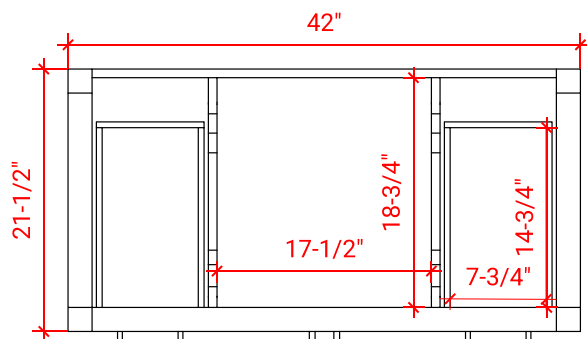
FRONT VIEW



SIDE VIEW



PLAN VIEW



# 43" OVAL SINK THIN COUNTERTOP

## OVERALL DIMENSIONS

43" W x 22" D x 0.75" H

## COUNTERTOP OPTIONS



Carrara Marble  
CW2-043S-OVL-CT

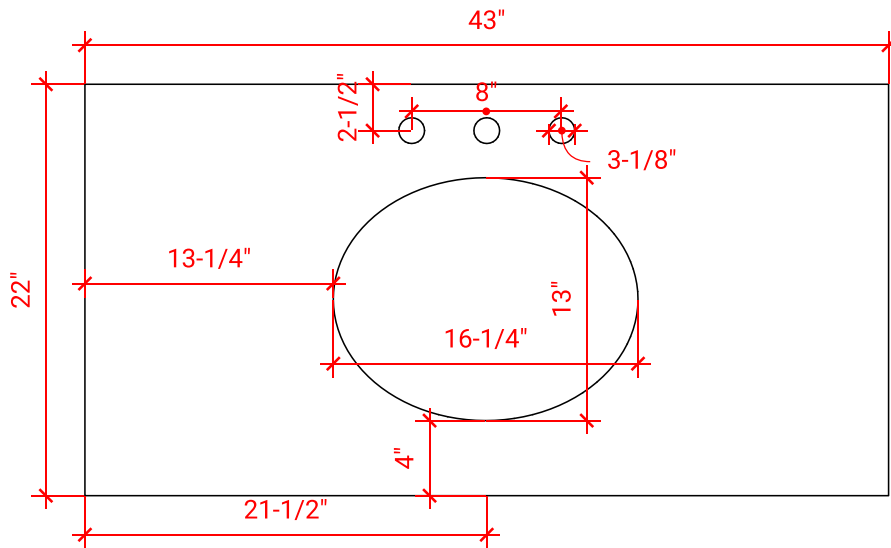
## FEATURES

- Solid countertop with mitered edges & seams
- Undermount white oval sink
- Pre-drilled for 8" widespread faucet

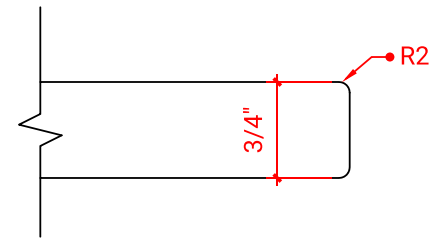
## INCLUDED

- Countertop
- Matching Backsplash
- Sink

### COUNTERTOP PLAN VIEW



### EDGE SIDE VIEW



### THREE DIMENSIONAL COUNTERTOP VIEW

