

**BASE CABINET DIMENSIONS**

42" W x 21.5" D x 34.5" H



**FEATURES**

- Solid wood frame & plywood panels
- Dovetail drawers and joints
- Soft closing doors & drawers

**HARDWARE FINISHES\***



Brushed Nickel    Satin Brass    Matte Black    Polished Chrome

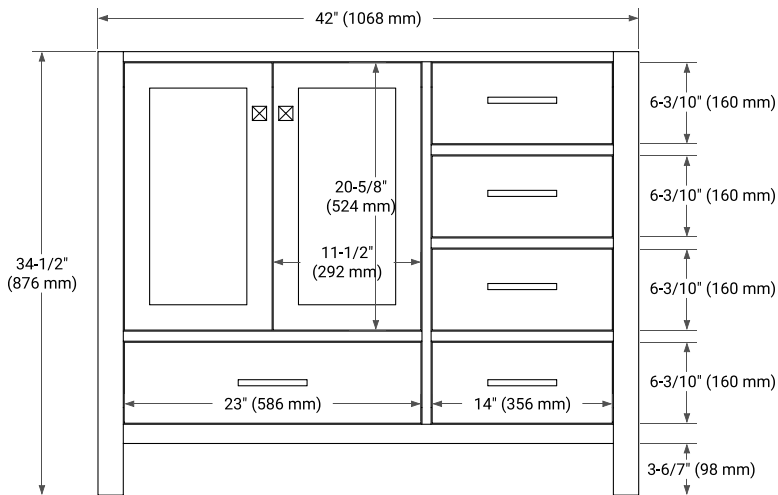
*Hardware comes preinstalled with the illustrated option. Other finishes are available on our online store if you prefer a different one.*

**AVAILABLE COLORS**

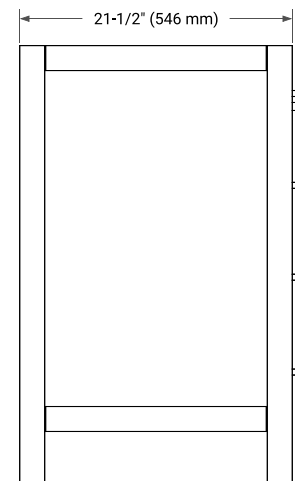


White    Grey    Midnight Blue    Espresso    Oak

**FRONT VIEW**



**SIDE VIEW**



**PLAN VIEW**

