

MONROE 54" SINGLE SINK BASE CABINET



BASE CABINET DIMENSIONS

54" W x 21.5" D x 34.5" H



FEATURES

- Solid wood frame and Plywood
- Soft-close system
- Dovetail construction
- Ample storage

HARDWARE FINISHES*



Brushed Nickel Matte Black

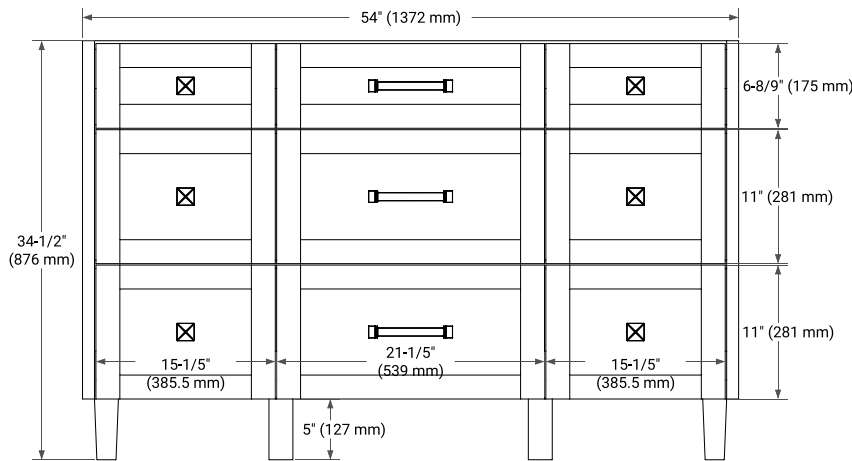
Hardware comes preinstalled with the illustrated option. Other finishes are available on our online store if you prefer a different one.

AVAILABLE COLORS

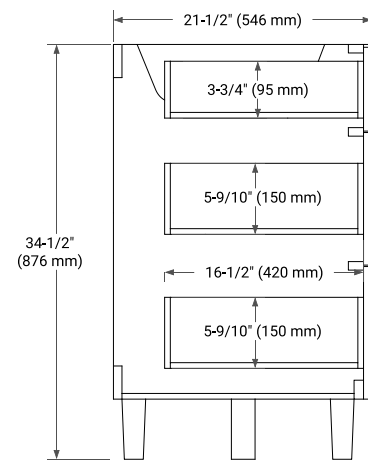


White Grey Midnight Blue Oak

FRONT VIEW



SIDE VIEW



PLAN VIEW

