

MAGNOLIA 48" CENTER SINK CABINET

ARIEL

SO48S



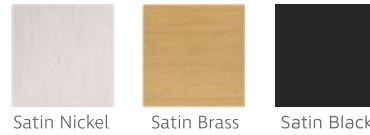
BASE CABINET DIMENSIONS

48" W x 21.5" D x 34.5" H

FEATURES

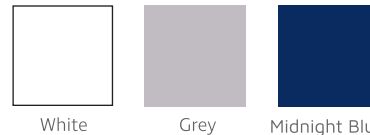
- Solid wood frame & plywood panels
- Dovetail drawers and joints
- Soft closing doors & drawers

HARDWARE FINISHES



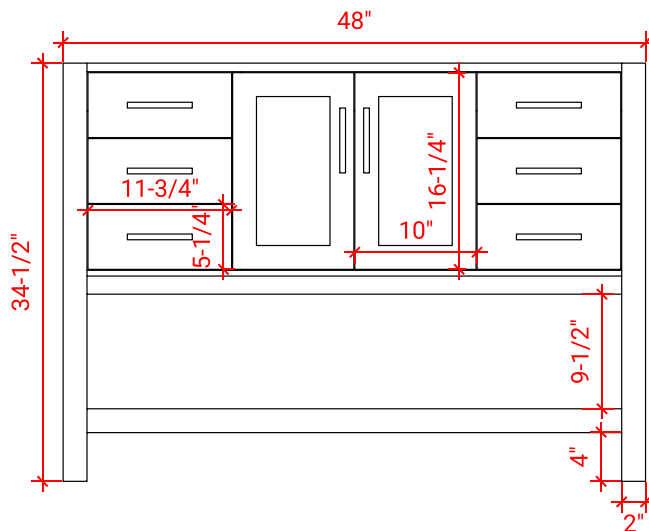
Satin Nickel Satin Brass Satin Black

AVAILABLE COLORS

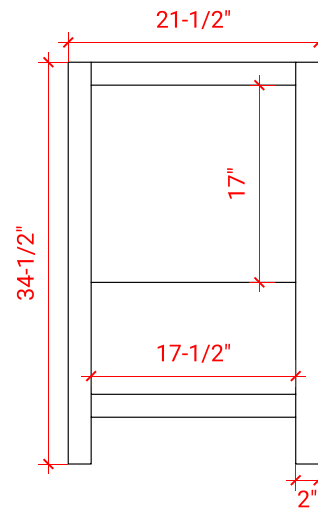


White Grey Midnight Blue

FRONT VIEW



SIDE VIEW



PLAN VIEW

