

CAMBRIDGE 61" DOUBLE SINK CABINET

ARIEL

A061D

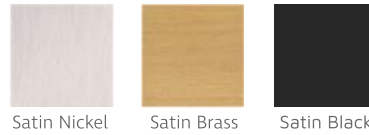
BASE CABINET DIMENSIONS

60" W x 21.5" D x 34.5" H

FEATURES

- Solid wood frame & plywood panels
- Dovetail drawers and joints
- Soft closing doors & drawers

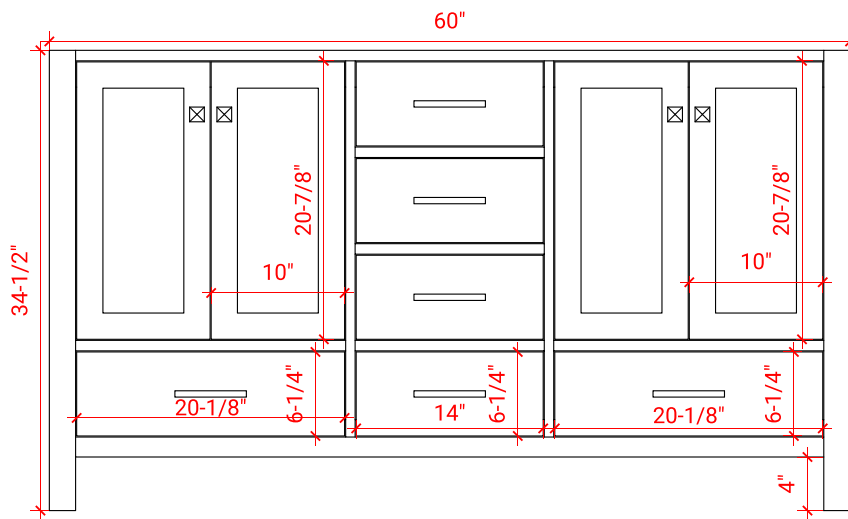
HARDWARE FINISHES



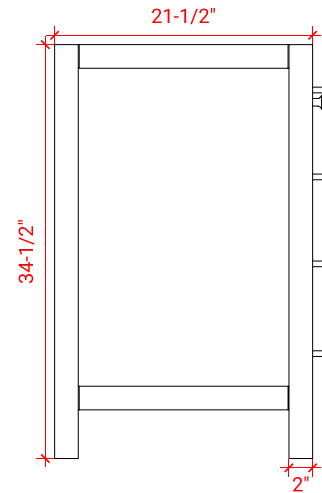
AVAILABLE COLORS



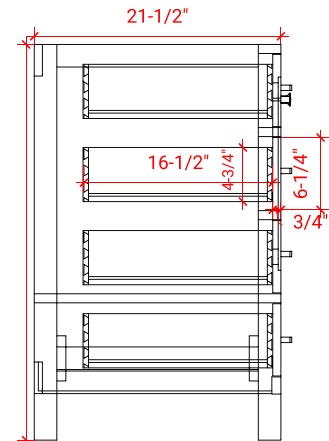
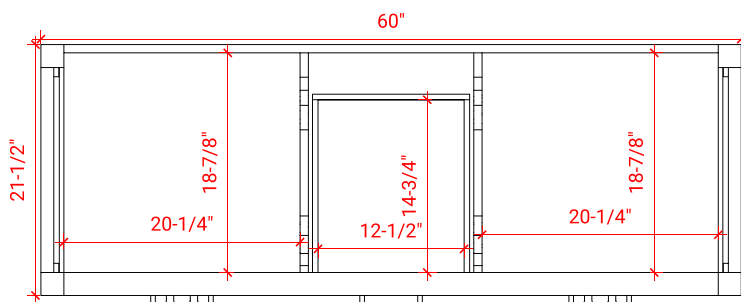
FRONT VIEW



SIDE VIEW



PLAN VIEW



61" DOUBLE RECTANGLE SINK THIN COUNTERTOP



OVERALL DIMENSIONS

61" W x 22" D x 0.75" H

COUNTERTOP OPTIONS



Carrara Marble
CW2-061D-REC-CT

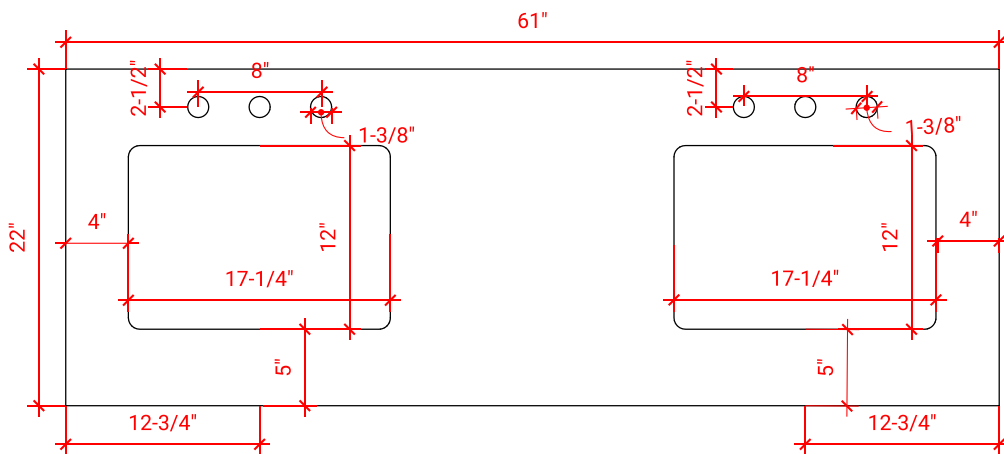
FEATURES

- Solid countertop with mitered edges & seams
- Undermount white rectangular sink
- Pre-drilled for 8" widespread faucet

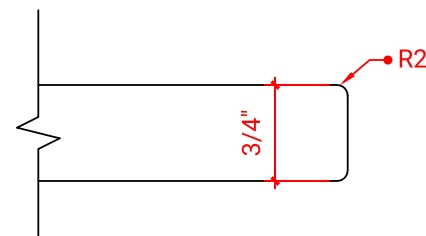
INCLUDED

- Countertop
- Matching Backsplash
- Sink

COUNTERTOP PLAN VIEW



EDGE SIDE VIEW



THREE DIMENSIONAL COUNTERTOP VIEW

